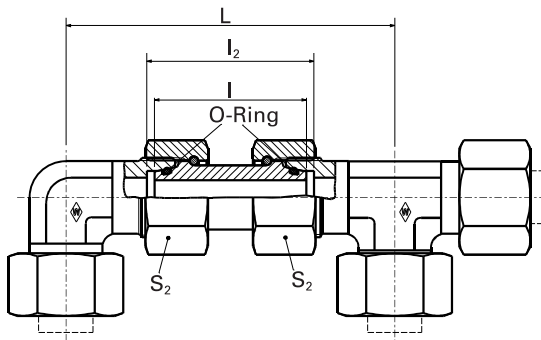


Straight fittings

SNV ...

SNV ...-1.4571

- for steel, with taper and O-rings made from NBR* (e.g. Perbunan) at both ends
- for stainless steel (1.4571), with taper and O-rings made from FKM (e.g. Viton) at both ends
- in each case, one nut can be pushed back to the rear edge of the O-ring groove



F

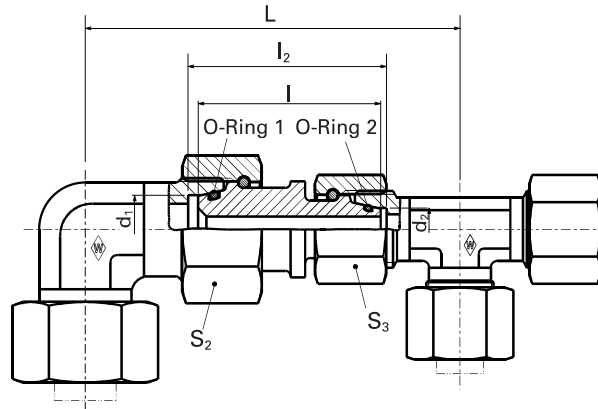
Series	PN bar (psi)	Tube outer diameter	Model	L	I	I ₂	S ₂	*O-ring	Fitting	Fitting
									SNV ...	Stainless steel (1.4571) SNV ... -VI-1.4571**
Art. no.										
L	500 (7252)	6	SNV 6 L	60	34	36	17	4.5 x 1.5	WAL372938	WAL605650
		8	SNV 8 L	64	34	36	17	6 x 1.5	WAL372939	WAL614821
		10	SNV 10 L	67	36	37	19	8.5 x 1.5	WAL372940	WAL614822
	400 (5801)	12	SNV 12 L	71	36	37	22	10 x 1.5	WAL372941	WAL602792
		15	SNV 15 L	82	39	40	27	12 x 2	WAL372942	WAL613125
		18	SNV 18 L	89.5	40.5	42.5	32	15 x 2	WAL372943	WAL613126
	250 (3626)	22	SNV 22 L	102	45	47	36	20 x 2	WAL372944	WAL613249
		28	SNV 28 L	110	47	49	46	26 x 2	WAL372945	WAL615448
		35	SNV 35 L	127	53	58	50	32 x 2.5	WAL372946	WAL615456
S	800 (11603)	42	SNV 42 L	139	53	59	60	38 x 2.5	WAL372947	WAL615609
		6	SNV 6 S	71	37	39	17	4.5 x 1.5	WAL372948	WAL617643
		8	SNV 8 S	73	37	39	19	6 x 1.5	WAL069234	WAL607143
	630 (9137)	10	SNV 10 S	78	41	43	22	8.5 x 1.5	WAL068948	WAL613325
		12	SNV 12 S	87	42	48	24	10 x 1.5	WAL068950	WAL604350
		14	SNV 14 S	92	45	48	27	12 x 2	WAL372949	WAL617644
	420 (6091)	16	SNV 16 S	99	46	50	30	14 x 2	WAL068088	WAL610011
		20	SNV 20 S	113	55	60	36	17.3 x 2.4	WAL681090	WAL605521
		25	SNV 25 S	126	58	66	46	22.3 x 2.4	WAL061763	WAL605522
400 (5801)	30	SNV 30 S	144	62	73	50	27.3 x 2.4	WAL068099	WAL613266	
	38	SNV 38 S	165	67	83	60	35 x 2.5	WAL061765	WAL606413	

⚠ Caution: The pressure specifications refer to the steel version. For the stainless steel version (1.4571), please refer to the pressure specifications on page B5.
*For FPM (e.g. Viton) see price list / available on request

Special parts are available on request.

SNV .../... L

- Reducer fittings
- with taper and O-rings made from NBR* (e.g. Perbunan) at both ends
- in each case, one nut can be pushed back to the rear edge of the O-ring groove
- Light-duty range



F

Series	PN bar (psi)	Tube outer diameter d ₁	Tube outer diameter d ₂	Model	L	l	l ₂	S ₁	S ₂	*O-ring 1	*O-ring 2	Art. no.
L	500 (7252)	8	6	SNV 8/ 6 L	64	34	36	17	17	6 x 1.5	4.5 x 1.5	WAL612675
		10	6	SNV 10/ 6 L	65.5	35	36.5	19	17	8.5 x 1.5	4.5 x 1.5	WAL612676
		10	8	SNV 10/ 8 L	65.5	35	36.5	19	17	8.5 x 1.5	6 x 1.5	WAL612677
		12	6	SNV 12/ 6 L	67.5	35	36.5	22	17	10 x 1.5	4.5 x 1.5	WAL612678
		12	8	SNV 12/ 8 L	68.5	36	37.5	22	17	10 x 1.5	6 x 1.5	WAL374358
		12	10	SNV 12/10 L	69.5	36.5	37.5	22	19	10 x 1.5	8.5 x 1.5	WAL612679
	400 (5801)	15	8	SNV 15/ 8 L	73	36.5	38	27	17	12 x 2	6 x 1.5	WAL612680
		15	10	SNV 15/10 L	74.5	37.5	38.5	27	19	12 x 2	8.5 x 1.5	WAL612681
		15	12	SNV 15/12 L	83	44	45	27	22	12 x 2	10 x 1.5	WAL612682
		18	10	SNV 18/10 L	78	38	39.5	32	19	15 x 2	8.5 x 1.5	WAL612683
		18	12	SNV 18/12 L	80	38	39.5	32	22	15 x 2	10 x 1.5	WAL612684
		18	15	SNV 18/15 L	91	45	46.5	32	27	15 x 2	12 x 2	WAL612685
	250 (3626)	22	12	SNV 22/12 L	86.5	40.5	42	36	22	20 x 2	10 x 1.5	WAL612686
		22	15	SNV 22/15 L	92	42	43.5	36	27	20 x 2	12 x 2	WAL612687
		22	18	SNV 22/18 L	98	45	47	36	32	20 x 2	15 x 2	WAL612688
		28	15	SNV 28/15 L	96	43	44.5	41	27	26 x 2	12 x 2	WAL612689
		28	18	SNV 28/18 L	100	44	46	41	32	26 x 2	15 x 2	WAL612690
		28	22	SNV 28/22 L	106	46	48	41	36	26 x 2	20 x 2	WAL612691
35		18	SNV 35/18 L	109.5	48	51.5	50	32	32 x 2.5	15 x 2	WAL612692	
35		22	SNV 35/22 L	115	49.5	53	50	36	32 x 2.5	20 x 2	WAL612693	
35		28	SNV 35/28 L	118.5	50	53.5	50	46	32 x 2.5	26 x 2	WAL612694	
42		22	SNV 42/22 L	121	49.5	53.5	60	36	38 x 2.5	20 x 2	WAL612695	
42	28	SNV 42/28 L	124.5	50	54	60	46	38 x 2.5	26 x 2	WAL612696		
42	35	SNV 42/35 L	133	53	58.5	60	50	38 x 2.5	32 x 2.5	WAL612697		

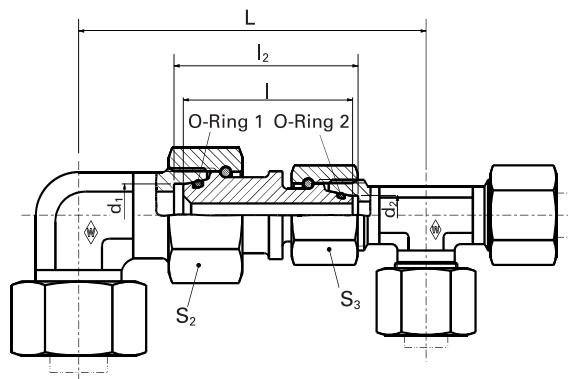
*For FPM (e.g. Viton) see price list / available on request

Special parts are available on request.

Straight fittings

SNV .../ ... S

- Reducer fittings
- with taper and O-rings made from NBR* (e.g. Perbunan) at both ends
- in each case, one nut can be pushed back to the rear edge of the O-ring groove
- Heavy-duty range



F

Fitting
SNV ... / ...

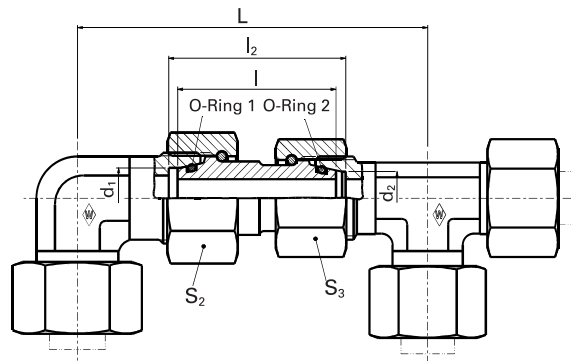
Series	PN bar (psi)	Tube outer diameter d ₁	Tube outer diameter d ₂	Model	L	l	l ₂	S ₁	S ₂	*O-ring 1	*O-ring 2	Art. no.
S	800 (11603)	8	6	SNV 8/6 S	72	37	39	19	17	6 x 1.5	4.5 x 1.5	WAL612698
		10	6	SNV 10/6 S	76	40.5	42.5	22	17	8.5 x 1.5	4.5 x 1.5	WAL612699
		10	8	SNV 10/8 S	75.5	39	41	22	19	8.5 x 1.5	6 x 1.5	WAL612700
	630 (9137)	12	6	SNV 12/6 S	80.5	39	43	24	17	10 x 1.5	4.5 x 1.5	WAL612701
		12	8	SNV 12/8 S	84.5	44	46	24	19	10 x 1.5	6 x 1.5	WAL612702
		12	10	SNV 12/10 S	82.5	41.5	43.5	24	22	10 x 1.5	8.5 x 1.5	WAL612703
		16	10	SNV 16/10 S	88.5	43.5	46.5	30	22	14 x 2.0	8.5 x 1.5	WAL612704
		16	12	SNV 16/12 S	96.5	47.5	50.5	30	24	14 x 2.0	10 x 1.5	WAL612705
		20	12	SNV 20/12 S	100	48.5	52	36	24	17.3 x 2.4	10 x 1.5	WAL612706
	420 (6091)	20	16	SNV 20/16 S	108	52.5	57	36	30	17.3 x 2.4	14 x 2	WAL612707
		25	16	SNV 25/16 S	112.5	52	58	46	30	22.3 x 2.4	14 x 2	WAL612708
		25	20	SNV 25/20 S	121	58	64.5	46	36	22.3 x 2.4	17.3 x 2.4	WAL612709
400 (5801)	30	16	SNV 30/16 S	121.5	54	61.5	50	30	27.3 x 2.4	14 x 2	WAL612710	
	30	20	SNV 30/20 S	128.5	58.5	66.5	50	36	27.3 x 2.4	17.3 x 2.4	WAL612711	
	30	25	SNV 30/25 S	135	60	69.5	50	46	27.3 x 2.4	22.3 x 2.4	WAL612712	
	38	20	SNV 38/20 S	139	61	71.5	60	36	35 x 2.5	17.3 x 2.4	WAL612713	
	38	25	SNV 38/25 S	145.5	62.5	74.5	60	46	35 x 2.5	22.3 x 2.4	WAL612714	
	38	30	SNV 38/30 S	154.5	64.5	78	60	50	35 x 2.5	27.3 x 2.4	WAL612715	

*For FPM (e.g. Viton) see price list / available on request

Special parts are available on request.

SNV ... L/S-S/L

- Reducer fittings
- with taper and O-rings made from NBR* (e.g. Perbunan) at both ends
- in each case, one nut can be pushed back to the rear edge of the O-ring groove



F

PN bar (psi)	Tube outer diameter d ₁	Tube outer diameter d ₂	Model	L	l	l ₂	S ₁	S ₂	*O-ring 1	*O-ring 2	Fitting SNV ... / ...
											Art. no.
400 (5801)	6	6	SNV 6L/ 6 S	67.5	35.5	37.5	17	17	4.5 x 1.5	4.5 x 1.5	WAL612716
	8	8	SNV 8L/ 8 S	68.5	35.5	37.5	17	19	6 x 1.5	6 x 1.5	WAL612717
	10	10	SNV 10L/10 S	72.5	38.5	40	19	22	8.5 x 1.5	8.5 x 1.5	WAL612718
	12	12	SNV 12L/12 S	79	39	40.5	22	24	10 x 1.5	10 x 1.5	WAL612719
	18	16	SNV 18L/16 S	94.5	43.5	46.5	32	30	15 x 2	14 x 2	WAL612720
250 (3626)	22	20	SNV 22L/20 S	107.5	50	53.5	36	36	20 x 2	17.3 x 2.4	WAL612721
	28	25	SNV 28L/25 S	118	52.5	57.5	46	46	26 x 2	22.3 x 2.4	WAL612722
	35	30	SNV 35L/30 S	139	61	69	50	50	32 x 2.5	27.3 x 2.4	WAL612723
400 (5801)	42	38	SNV 42L/38 S	147	55	66	60	60	38 x 2.5	35 x 2.5	WAL612724
	16	15	SNV 16S/15 L	90.5	42.5	45	30	27	14 x 2	12 x 2	WAL612725
	20	18	SNV 20S/18 L	101	47.5	51	36	32	17.3 x 2.4	15 x 2	WAL612726
250 (3626)	25	22	SNV 25S/22 L	119.5	57	62	46	36	22.3 x 2.4	20 x 2	WAL612727
	30	28	SNV 30S/28 L	131.5	59	65.5	50	46	27.3 x 2.4	26 x 2	WAL612728
	38	35	SNV 38S/35 L	148	62	72.5	60	50	35 x 2.5	32 x 2.5	WAL612729

*For FPM (e.g. Viton) see price list / available on request

Special parts are available on request.